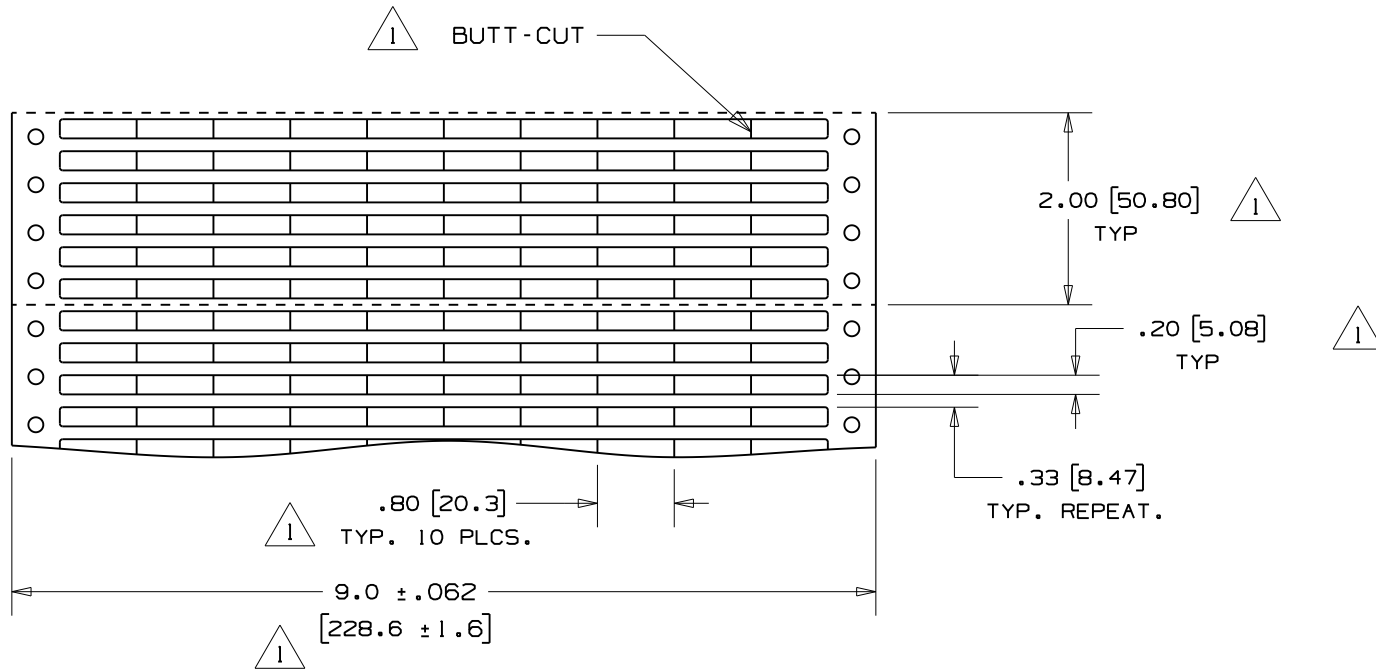


THIS COPY IS PROVIDED ON A RESTRICTED BASIS AND IS NOT TO BE USED IN ANY WAY DETRIMENTAL TO THE INTERESTS OF PANDUIT CORP.



1 NOTES
1. MILLIMETERS ARE IN ().

PART NUMBER	MATERIAL	MARKER SIZE inches (mm)	LABELS PER ROW	ROWS PER FANFOLD	STANDARD PKG. QTY.
CO80X020YJD	GMY	0.80 (20.3) X 0.20 (5.08)	10	36	5000

CAD FILENAME/LAYERS 100472DB-DC-C10232/01B

PANDUIT CORP. TINLEY PARK, ILLINOIS

CUSTOMER DRAWING
OPTIMUM CO80X020YJD
COMPUTER PRINTABLE LABELS

UNLESS OTHERWISE SPECIFIED,
DIMENSIONAL TOLERANCES ARE:
(.X) ± .12 (.XXX) ± .025 1
(.XX) ± .062 ANGLES ±

UNLESS OTHERWISE SPECIFIED,
ALL DIMENSIONS ARE GIVEN
IN INCHES, THIRD ANGLE PROJECTION.

REV	DATE	BY	CHK	DESCRIPTION	ECN	R	CUST	SUP
1	7/14/10	RVU		REMOVE THE PERF. BETWEEN THE LABELS TO MAKE THIS A "BUTT CUT" DESIGN. UPDATE TOLERANCES AND NOTES.	6087	R		
0	9-24-04	RVU		DRAWING RELEASE.	0000	R		

DRAWN BY RVU	MAT'L:	SCALE NTS
DATE 9-29-04	SEE TABLE	DRAWING NO. C10232
CHK'D		DWG A SIZE